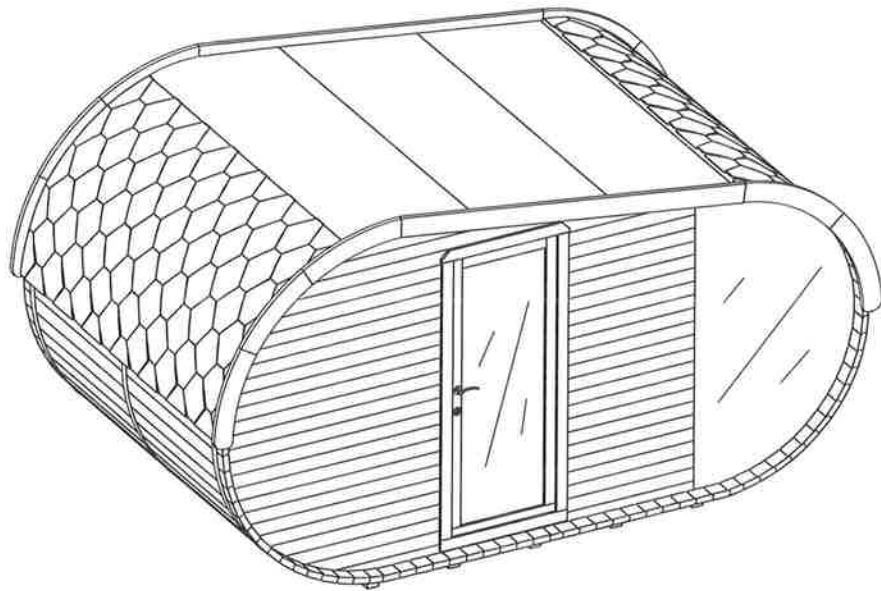


Delight camping 2.4x4.3



FOUNDATION

It is very important to have a proper foundation. Therefore we recommend making the foundation according to the sketches here.

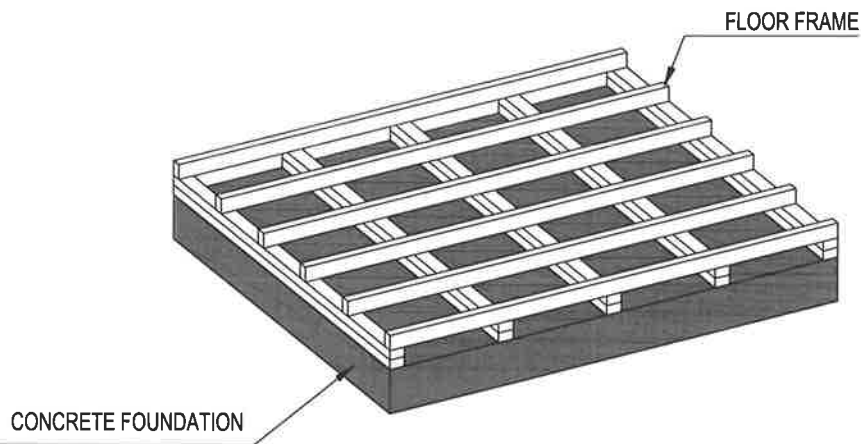
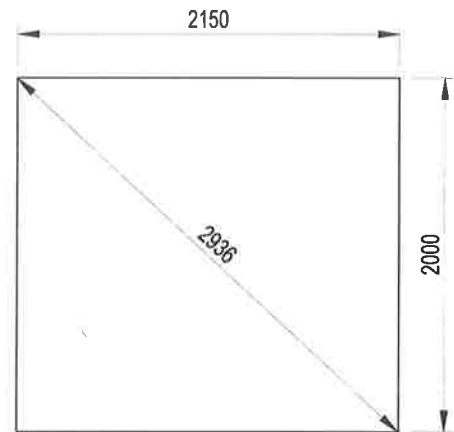
First of all, foundation must be prepared according to the landscape and ground conditions.

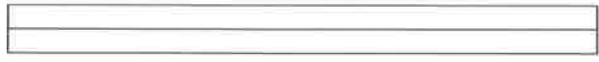
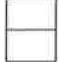

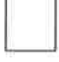

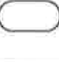


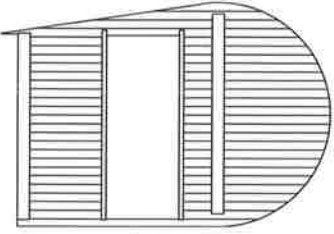

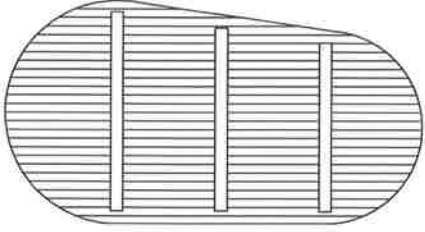



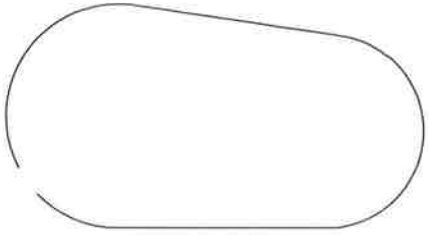

The foundation under the product must be prepared specially, it must be homogeneous, tight and equal. It must be ensured that it will not change its properties. We recommend using concrete foundation. Before installation of product, we recommend to make hydro isolation of foundation.



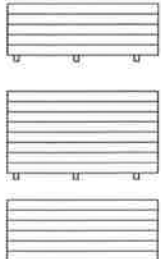
Consult a local qualified builder or an engineer to prepare a proper foundation, which fits to your location.

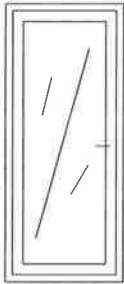













Due to improper foundation, cracks in the structures may occur. Due to uneven building seating, the geometric shape of the building may change, which can result in door / window twist, or/and gap may appear. And in the worst case building's collapse.















If you do not follow recommendation, product will lose its warranty.

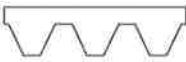
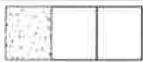








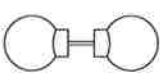
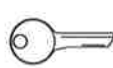
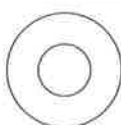

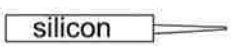


No.	Detail		Pcs	Dimension
1			5	70x90x2000
2			6	45x70x2150
3			1	38x90x2350
4			101	38x70-110x2350
5			1	59x2200x3339
6			1	59x2200x4100
7			1	38x90x2350
8				
9			3	2x50x10700

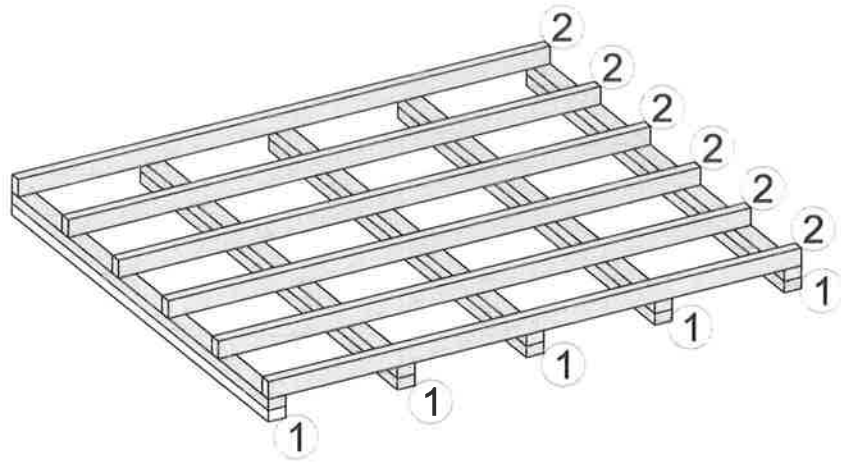
No.	Detail	Pcs	Dimension
10		1	66x1942x2066
11		1	46x1100x2065
12		1	46x1100x2065
13		4	45x500x600
14			
15			
16			
17			

No.	Detail	Pcs	Dimension
29			
30			
31			
32			
33			<p>1</p> <p>65x690x1850</p>
34			<p>2</p> <p>18x70x820</p>
35			<p>4</p> <p>18x70x1770</p>
36			<p>1</p> <p>18x70x810</p>
37			<p>1</p> <p>18x70x1770</p>
40			<p>3</p> <p>18x28x2000</p>
41			<p>1</p> <p>18x120x1555</p>

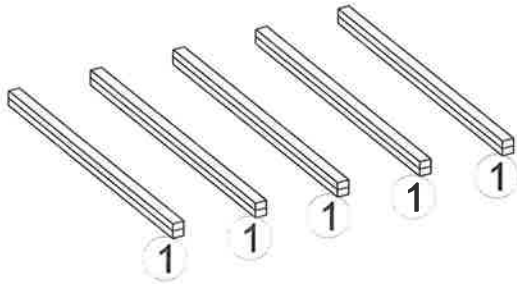
No.	Detail		Pcs	Dimension
44			2	28x85x2350
45			2	20x120x2350
46			8	27x163x561
47			2	27x145x2447
48			2	27x161x642
49			2	18x120x2186
50			2	18x120x2000
52				
53				

No.	Detail	Pcs	Dimension
S1		50	3x317x1000
S2		—	3x335x1000
S3		—	
S4		—	
S5		2	3x70x5600
S6		3	3x1000x2150
S7		—	
S8		—	
T1		—	
T2		1	
T3		1	
T4		1	
T5		2	
T6		2	
T7		—	
T8			

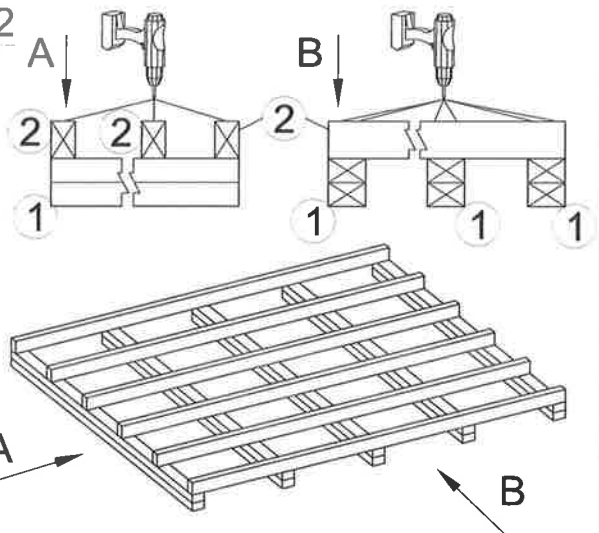
1.



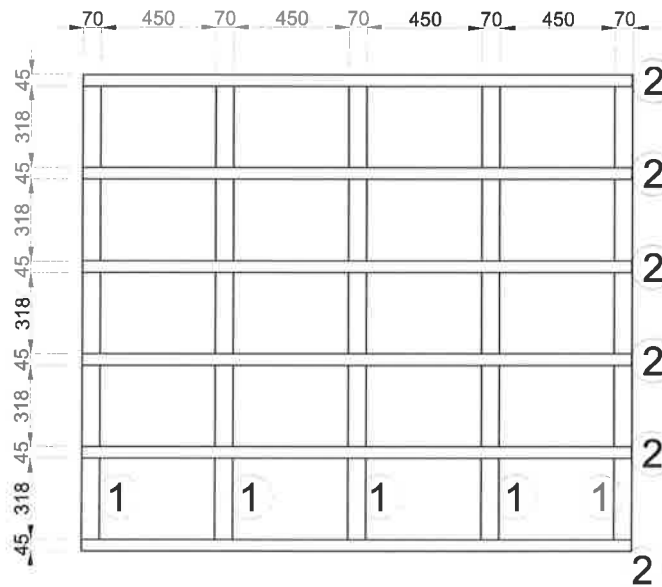
1



2

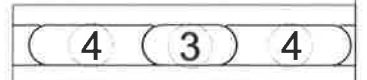
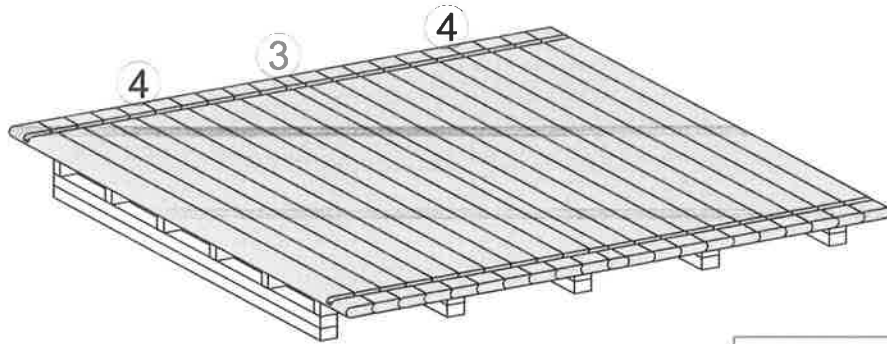


3

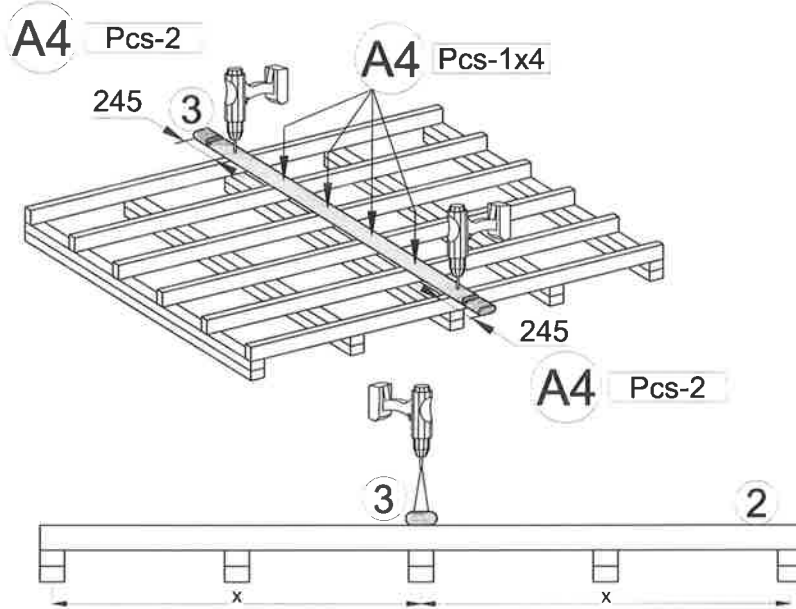


A3 Pcs-2x30

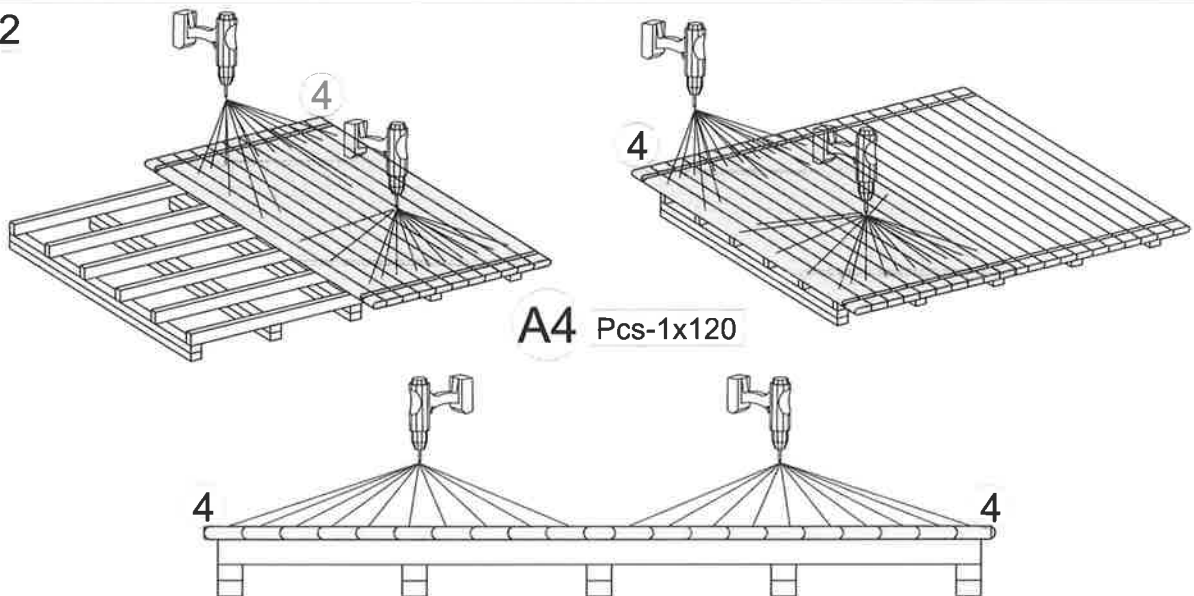
2.



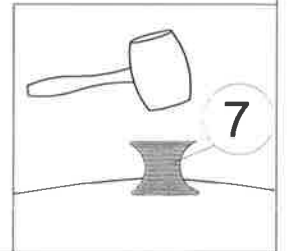
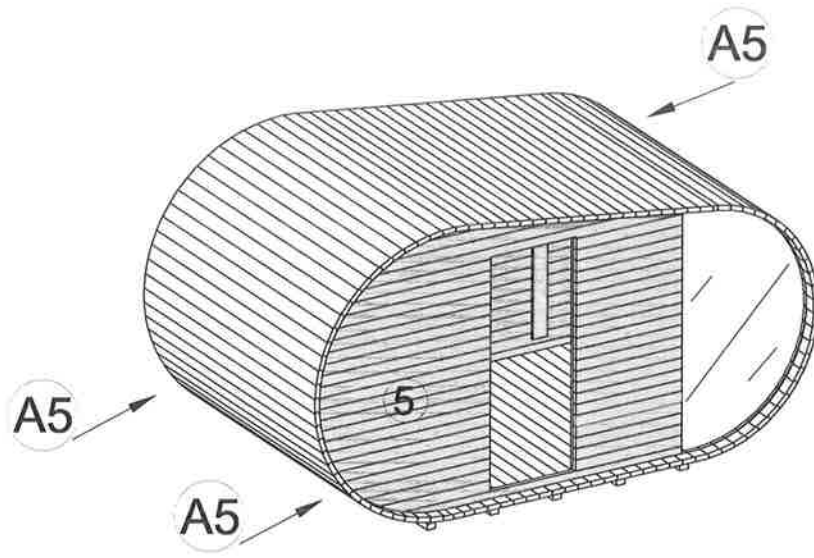
1



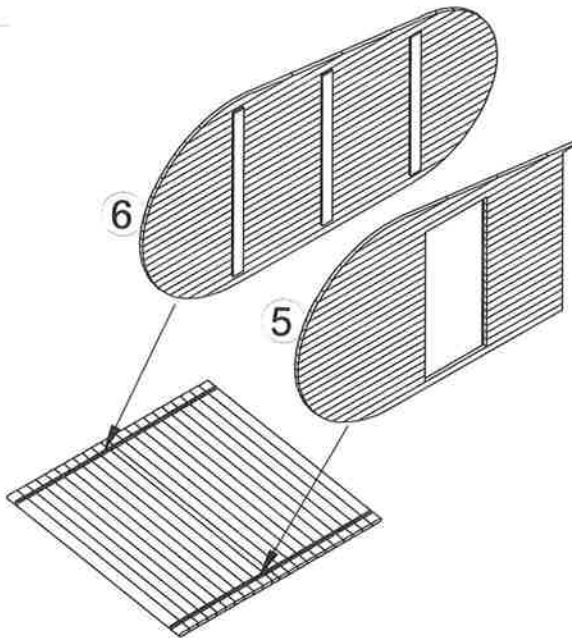
2



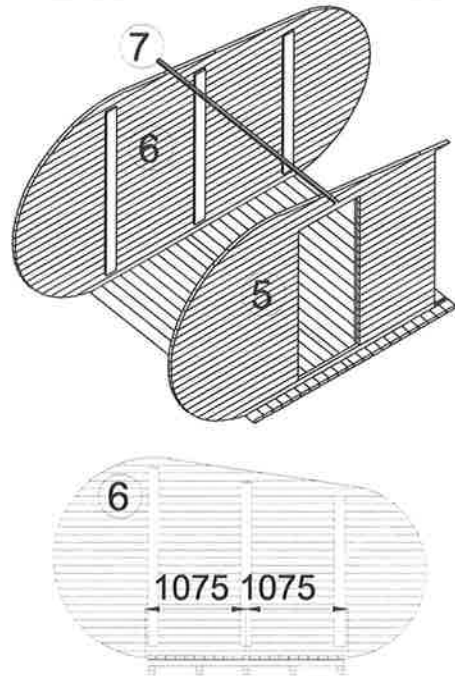
3.



1



2

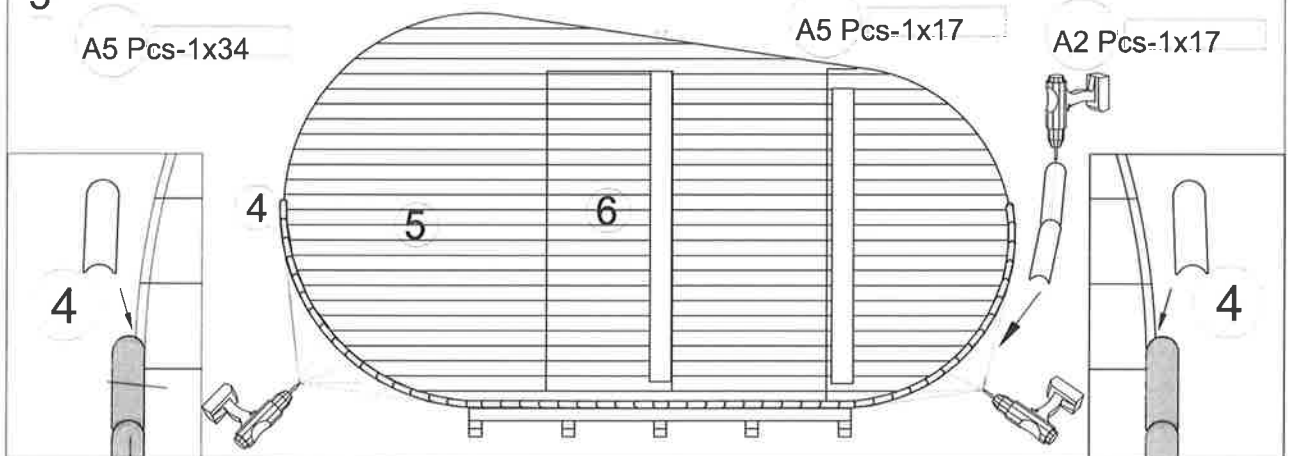


3

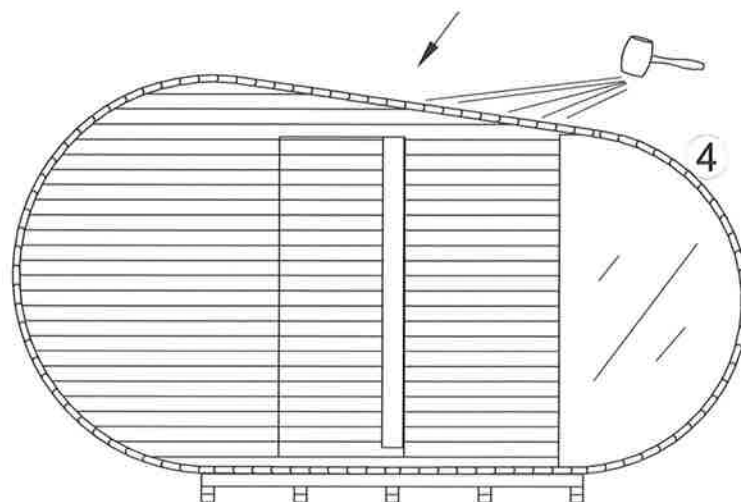
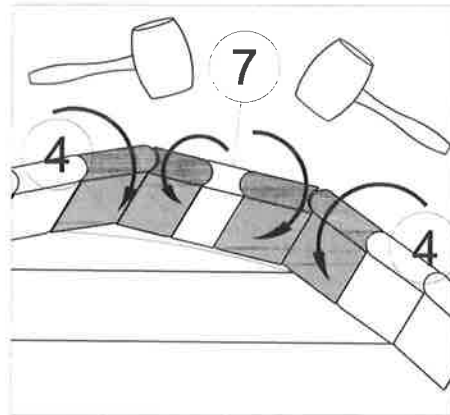
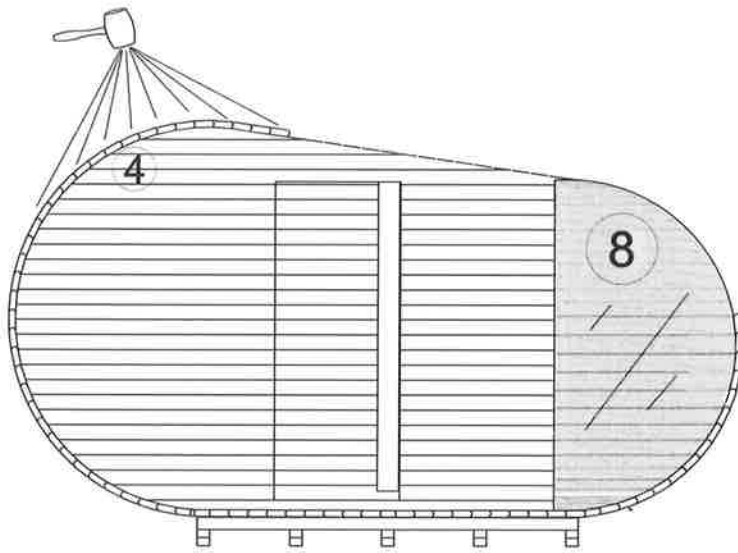
A5 Pcs-1x34

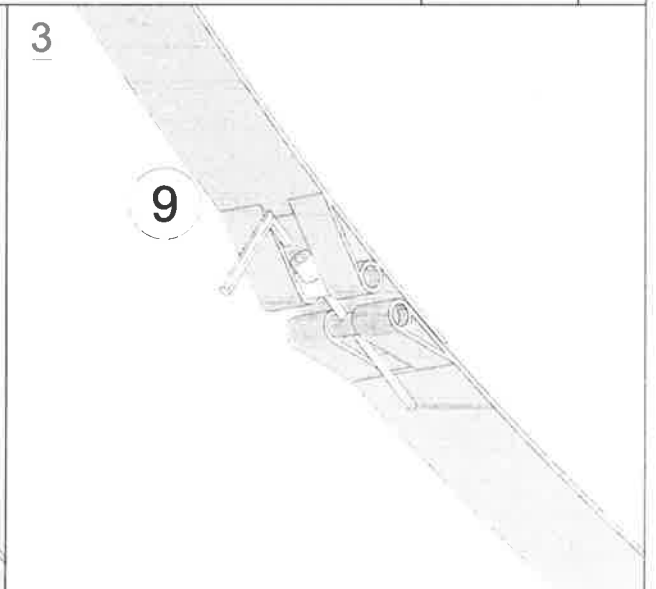
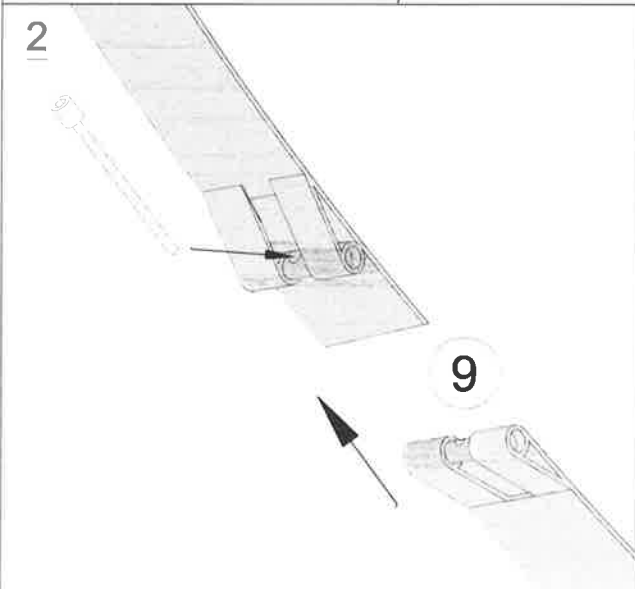
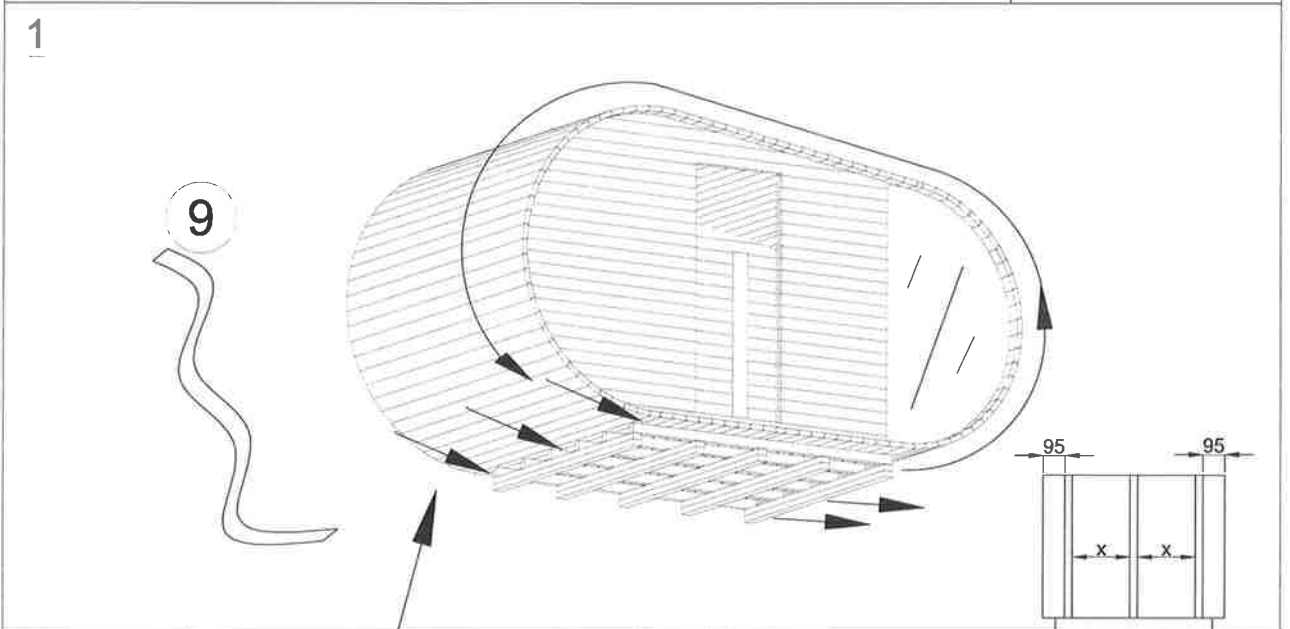
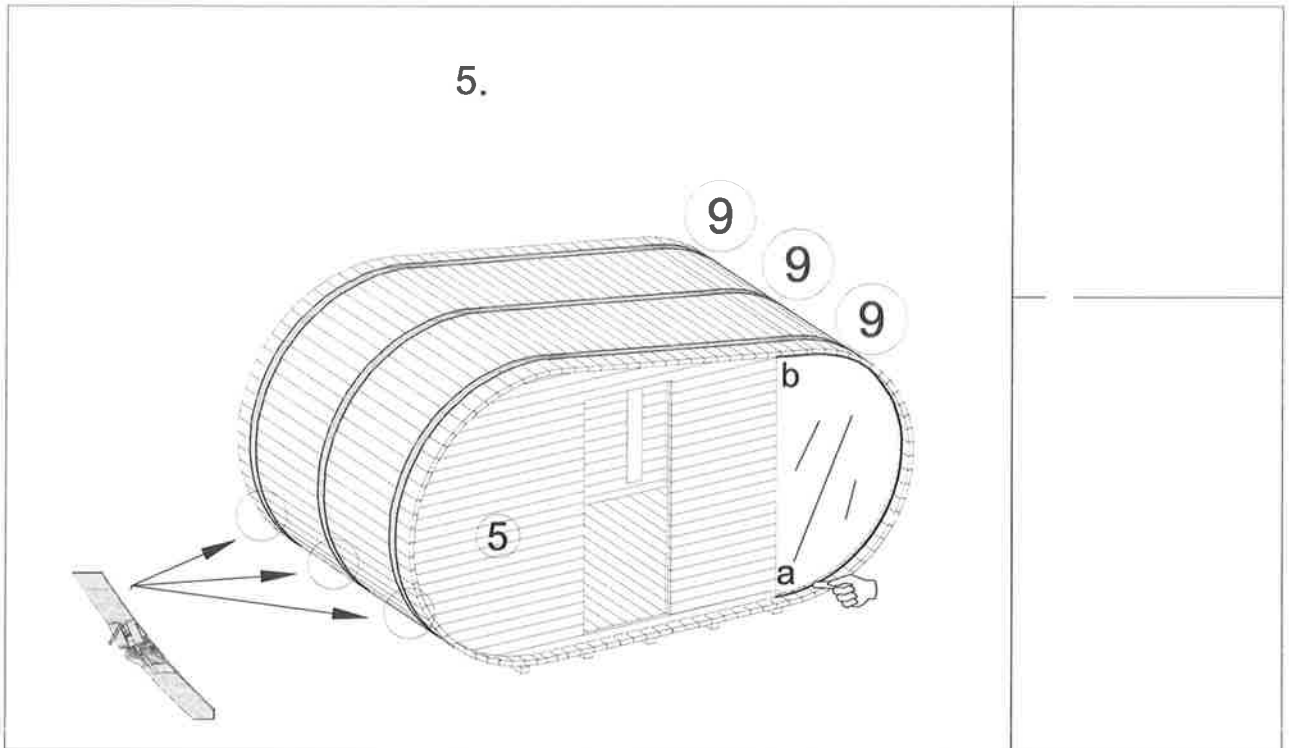
A5 Pcs-1x17

A2 Pcs-1x17

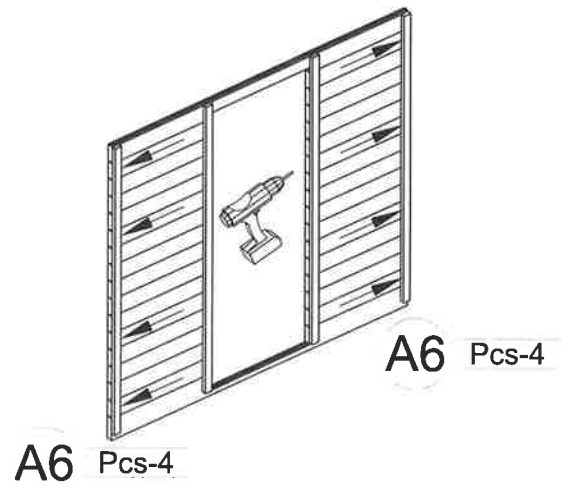
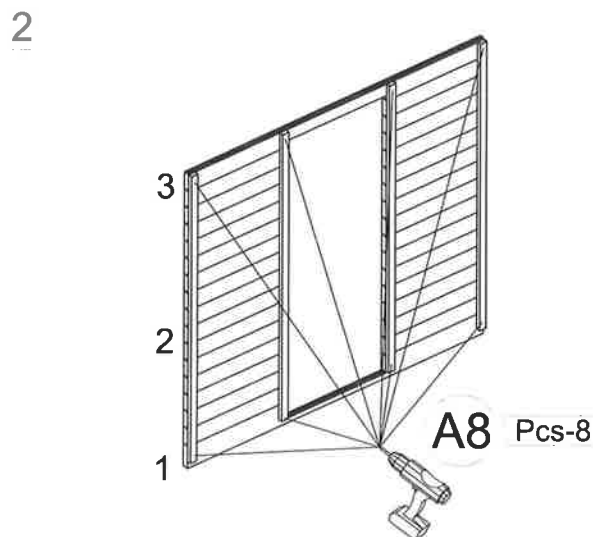
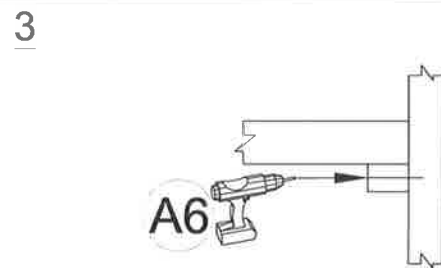
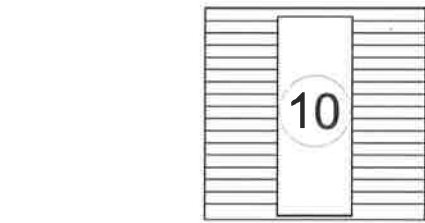
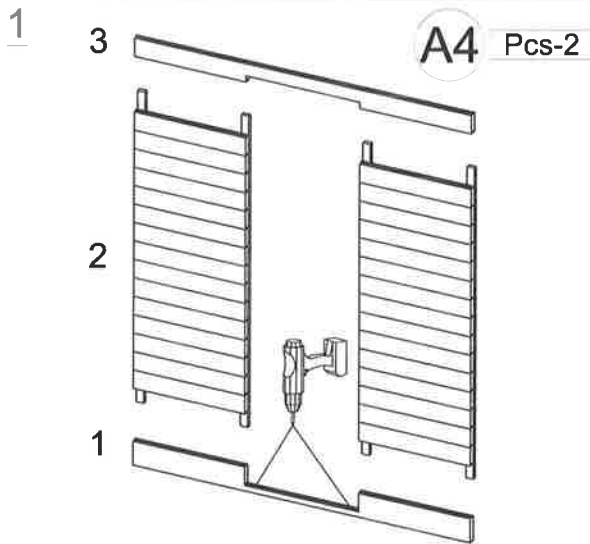
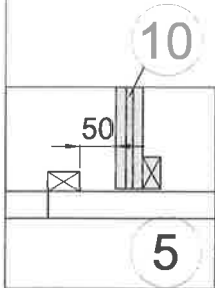
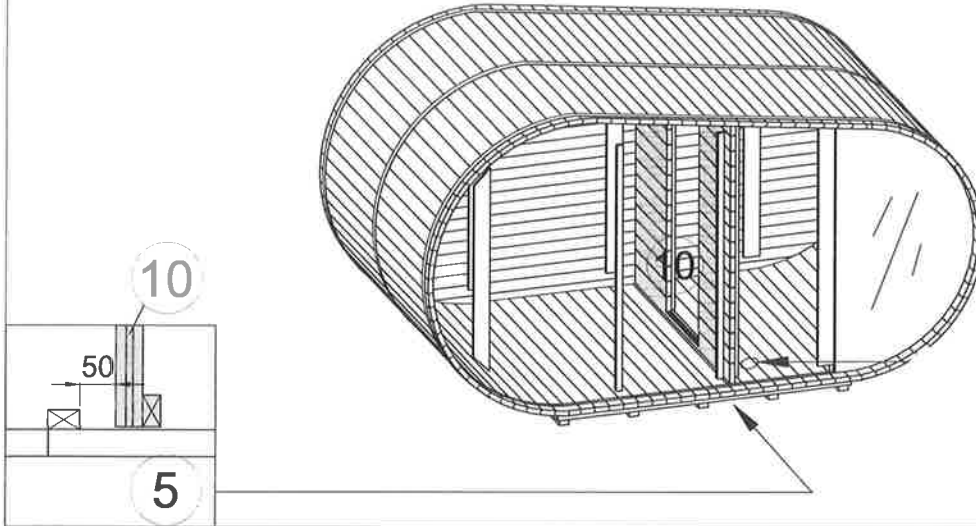


4.

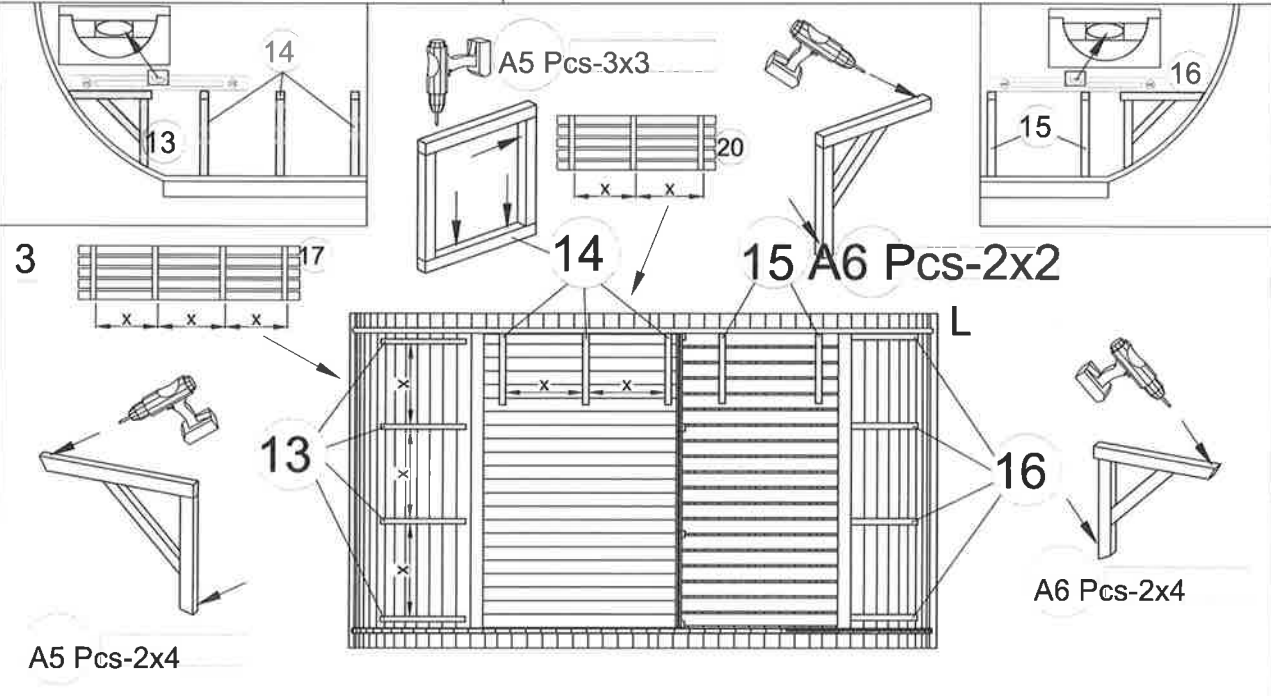
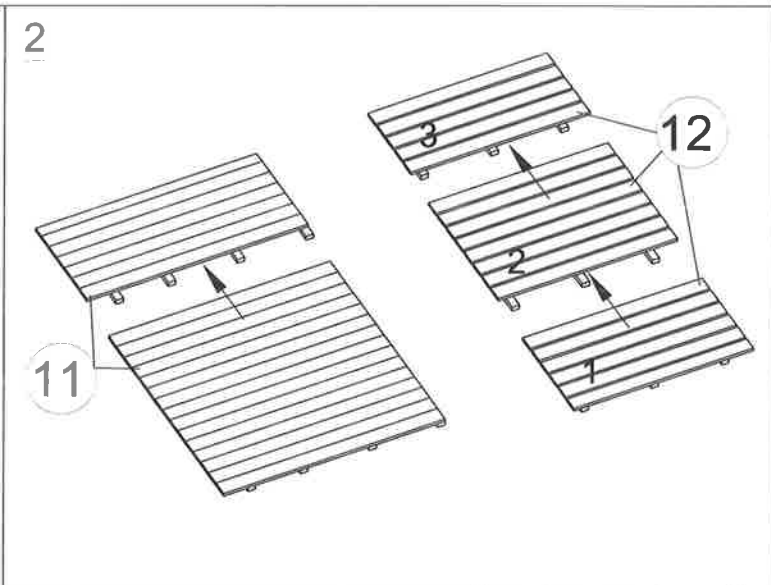
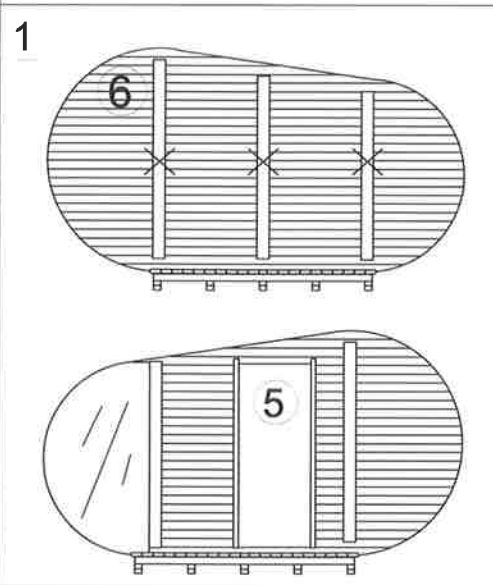
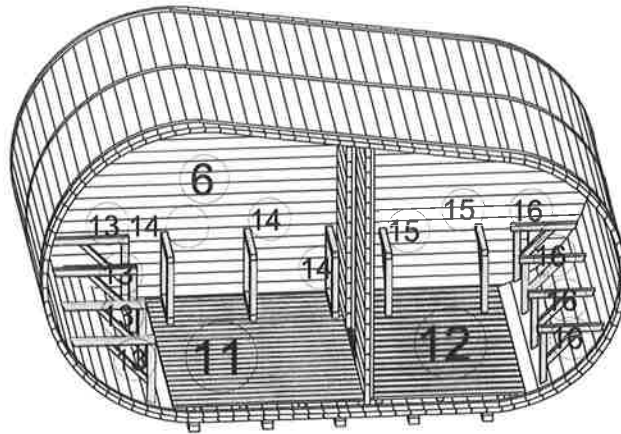




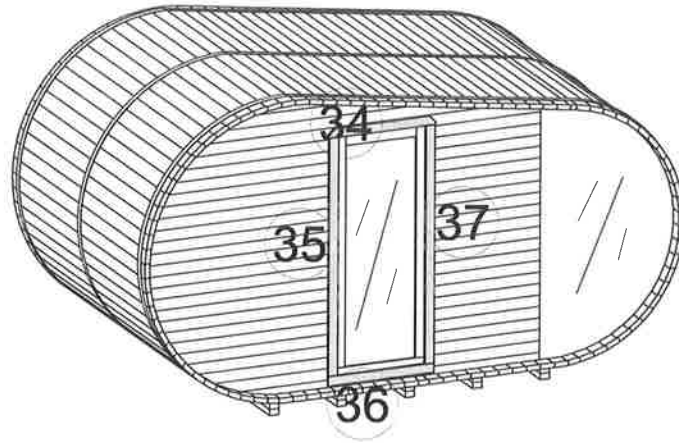
6.



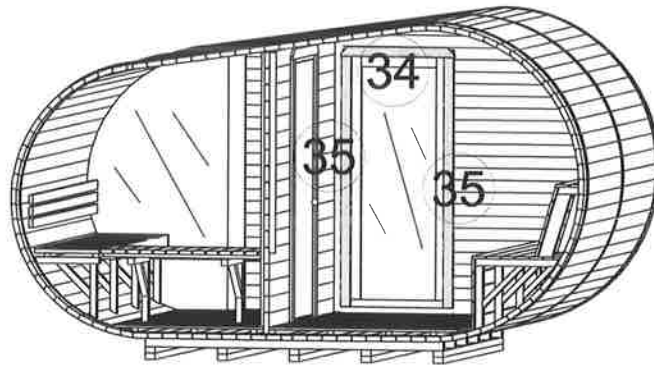
7.



10.

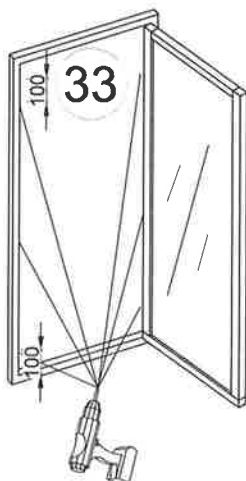


1



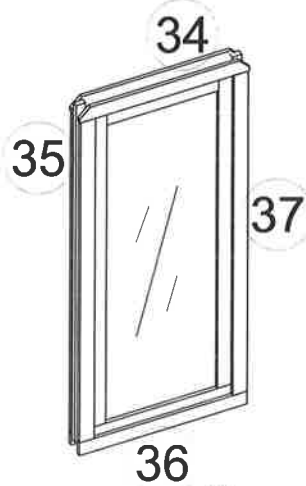
2

A4 Pcs-6

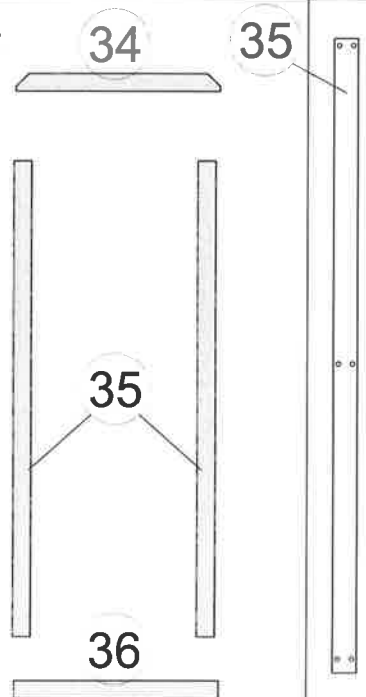


3

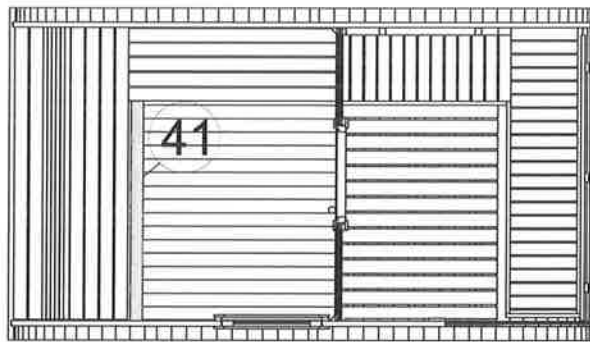
A11 Pcs-2x20



4



11.

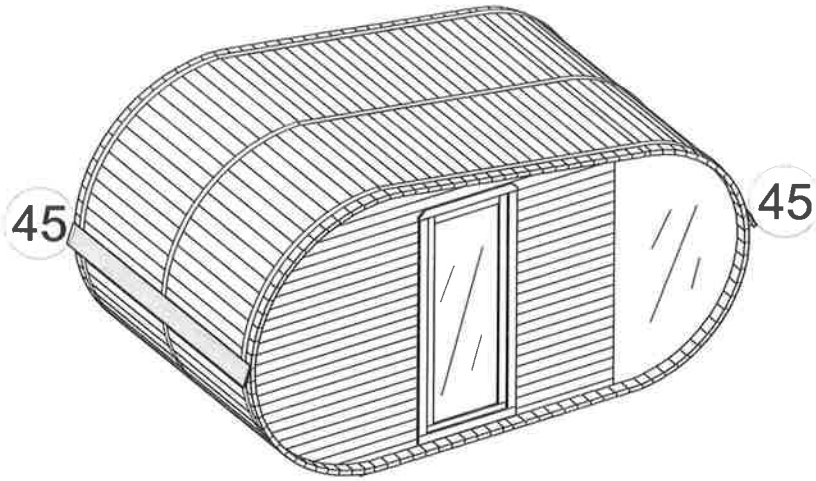


41

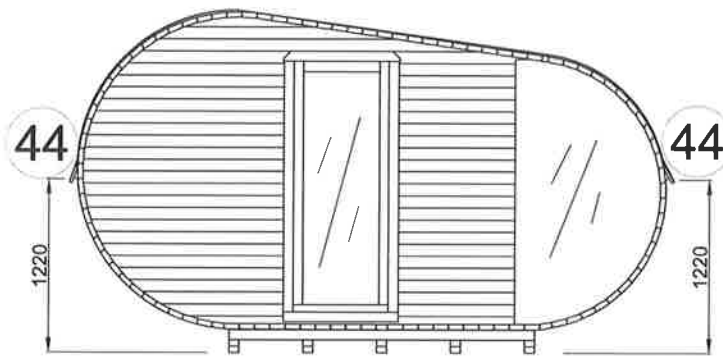


A11 Pcs-4

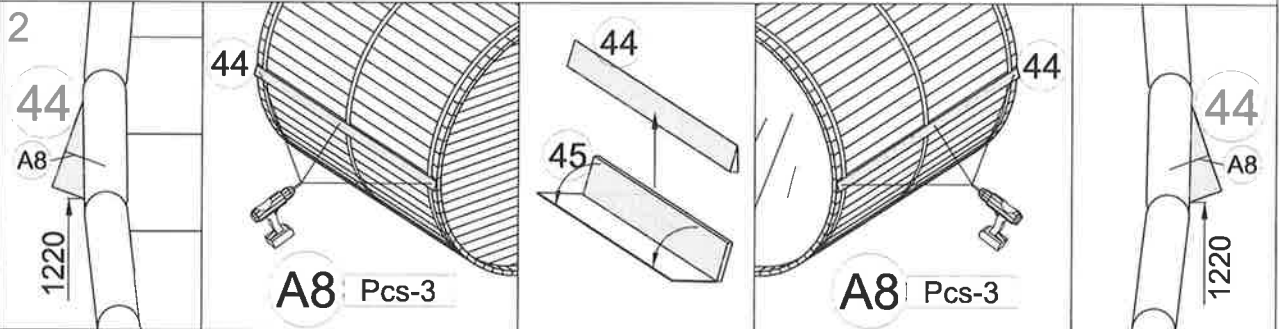
12.



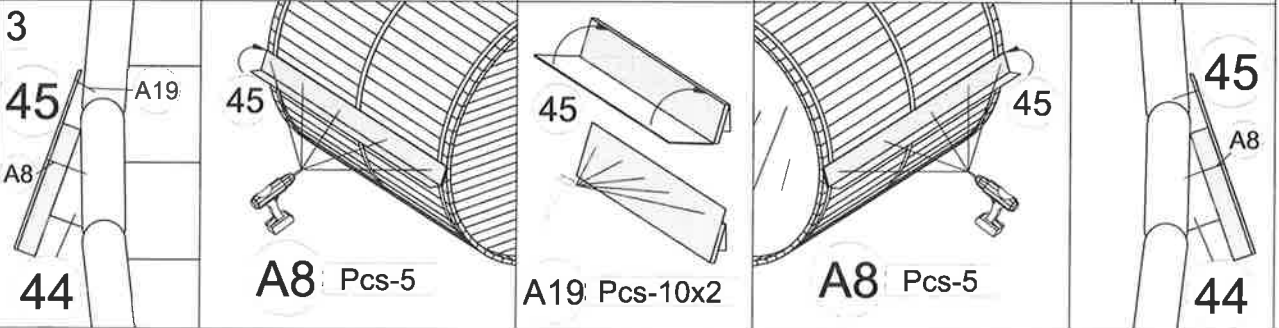
1



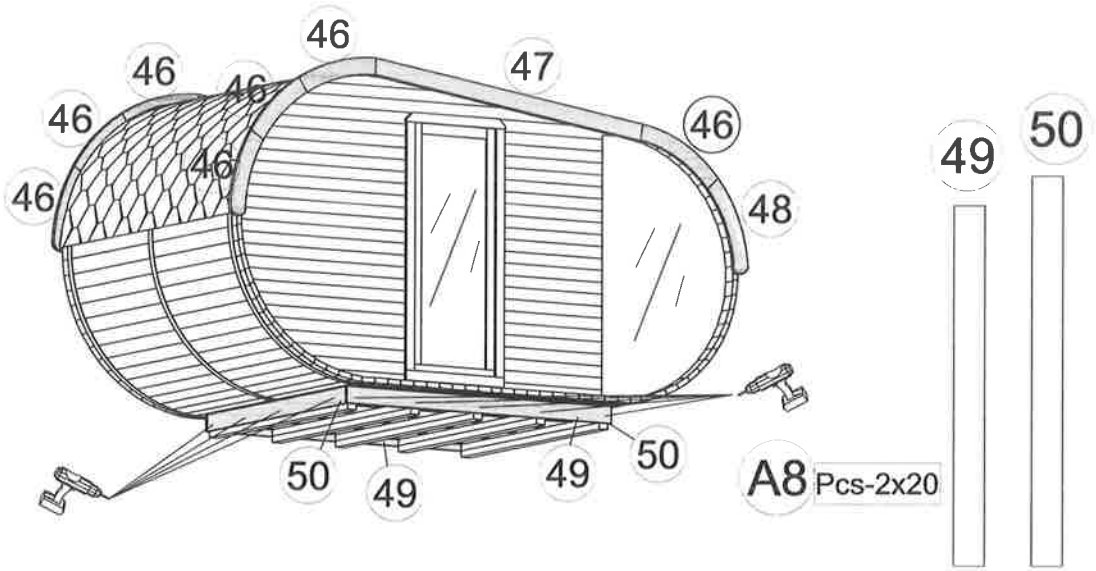
2



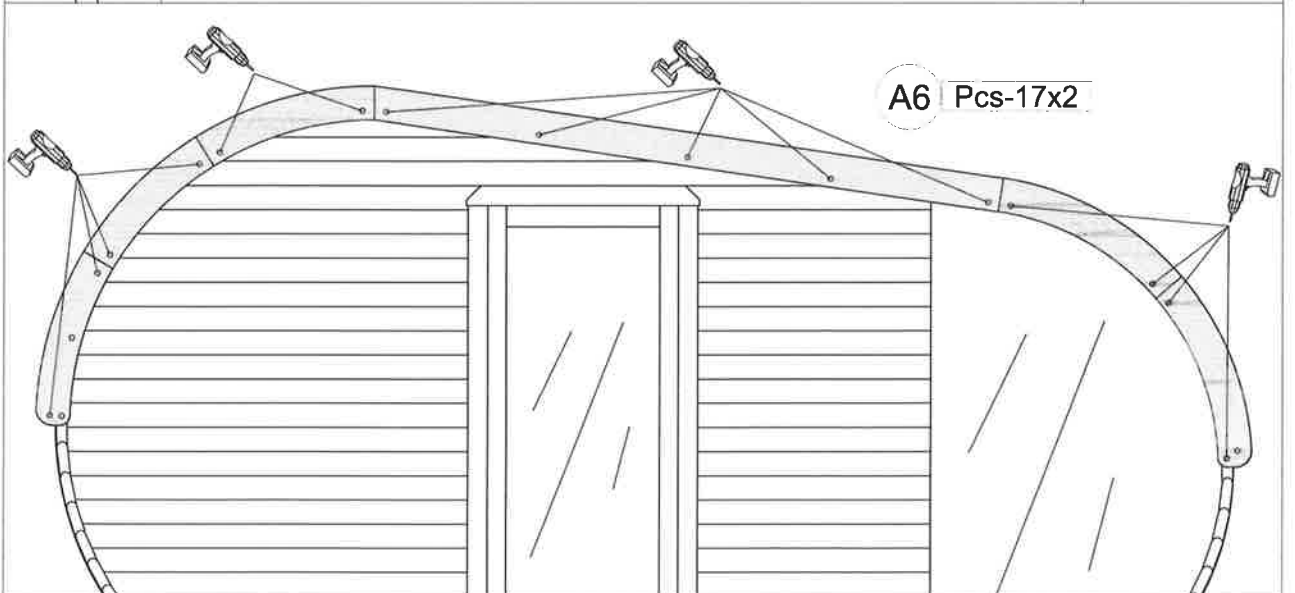
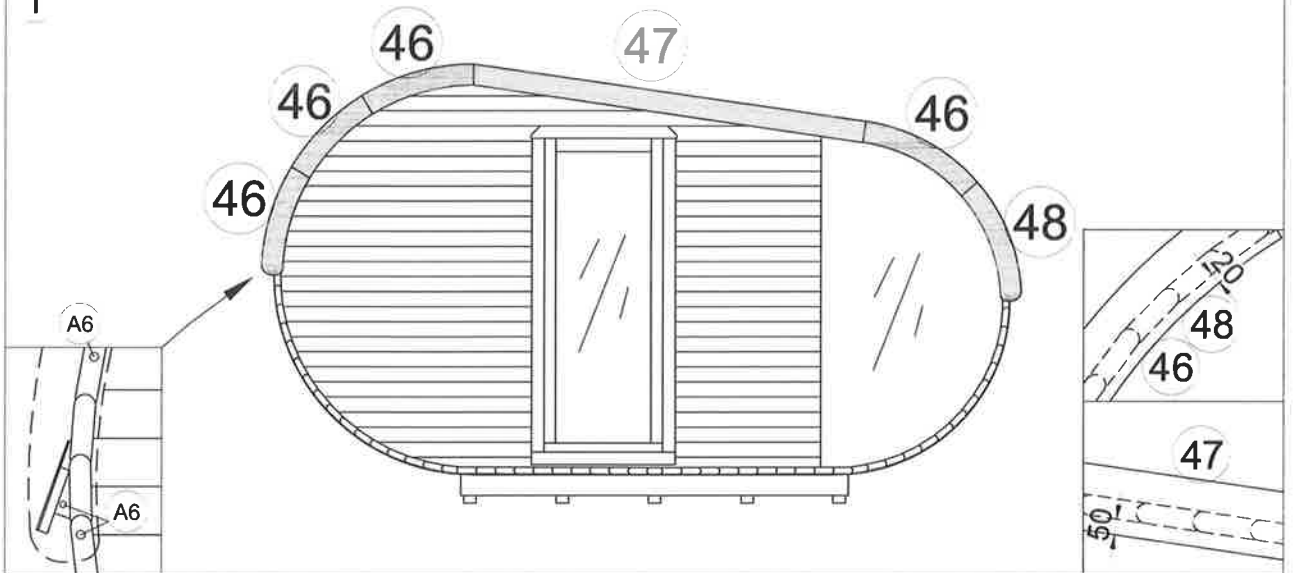
3



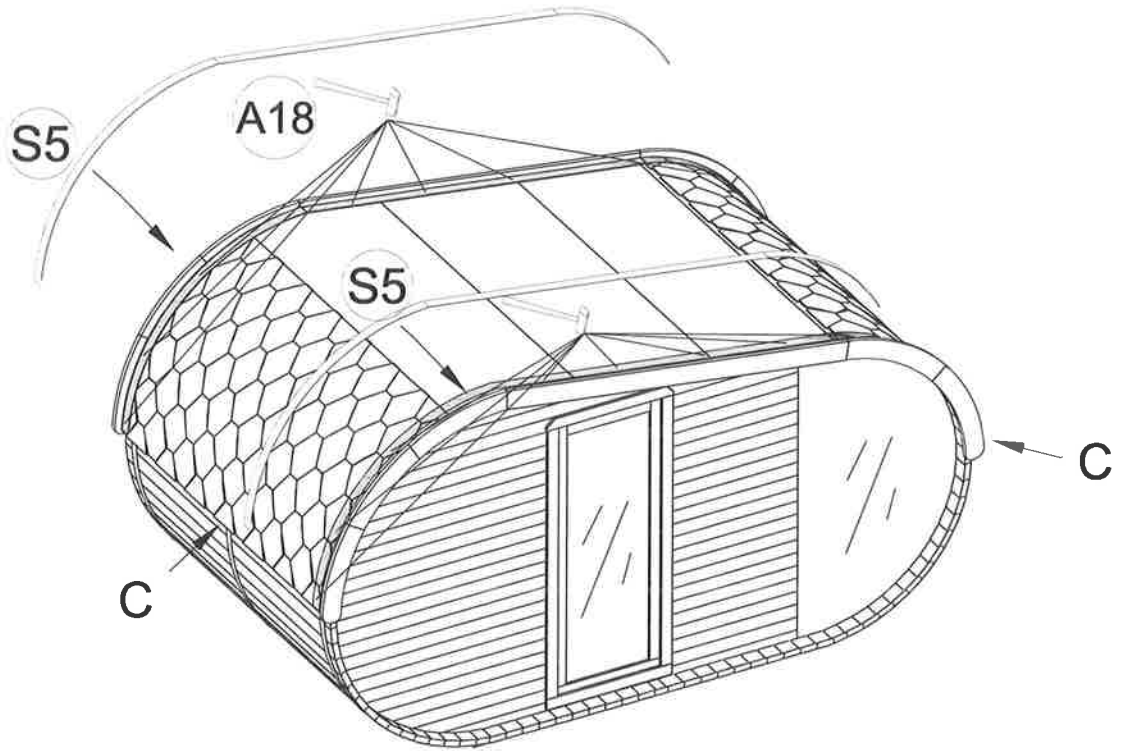
14.



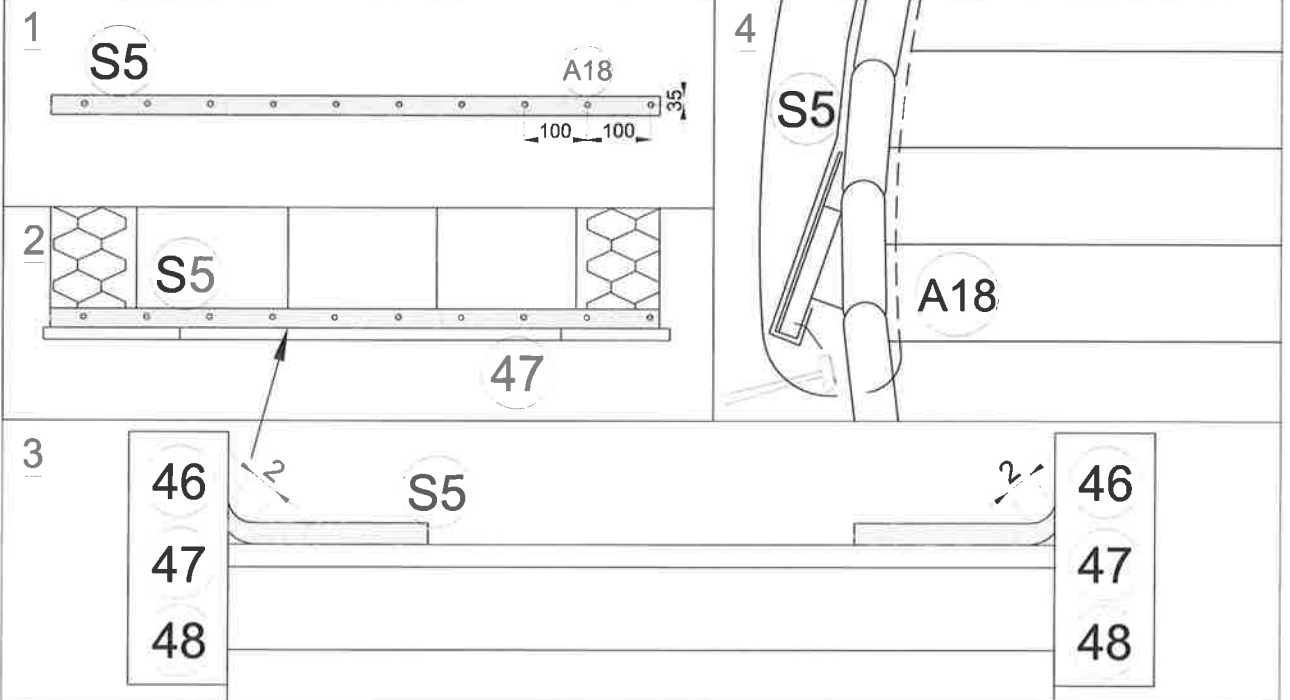
1



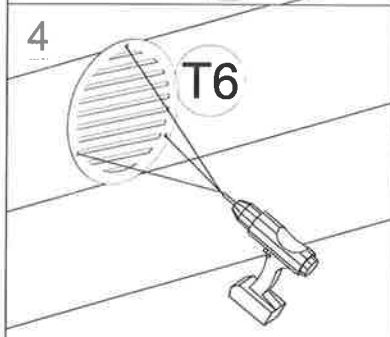
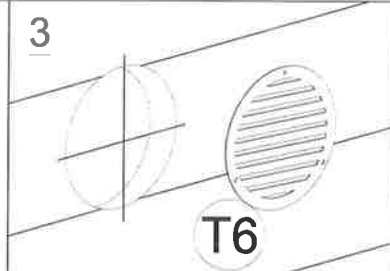
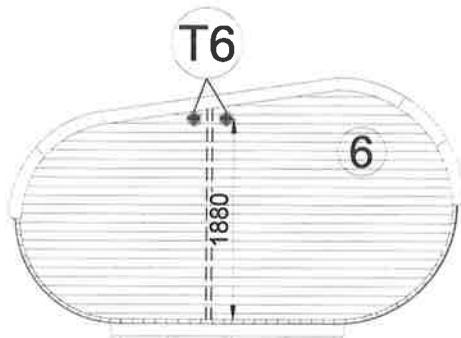
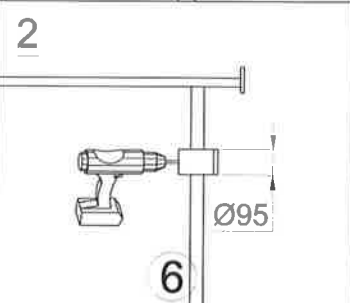
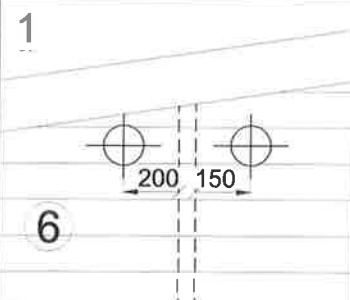
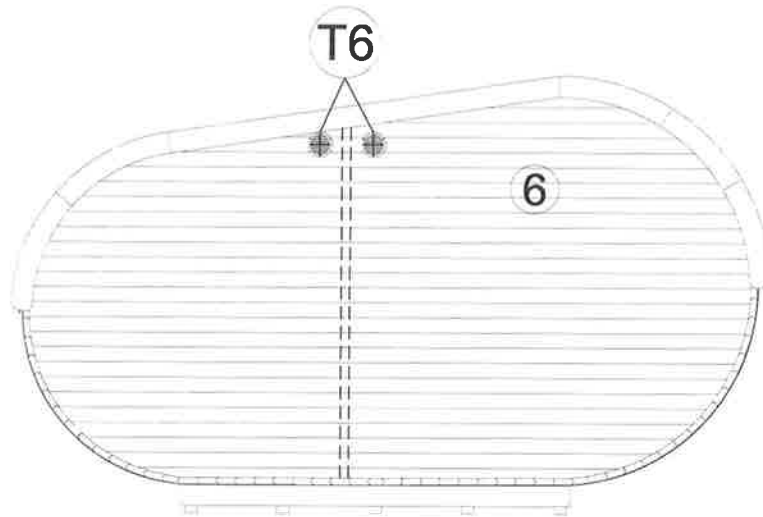
15.



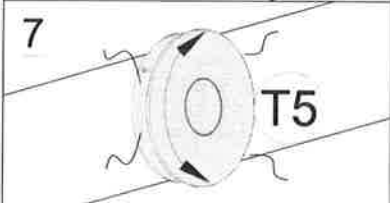
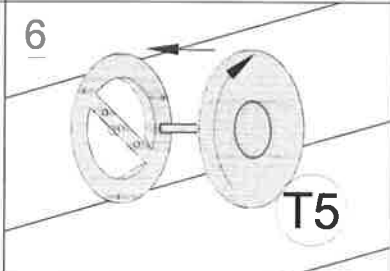
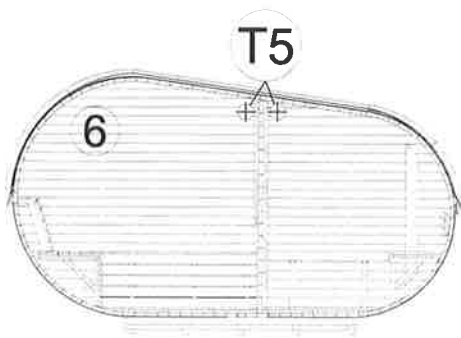
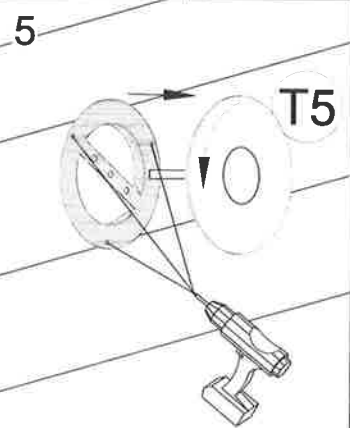
↓ C



16.

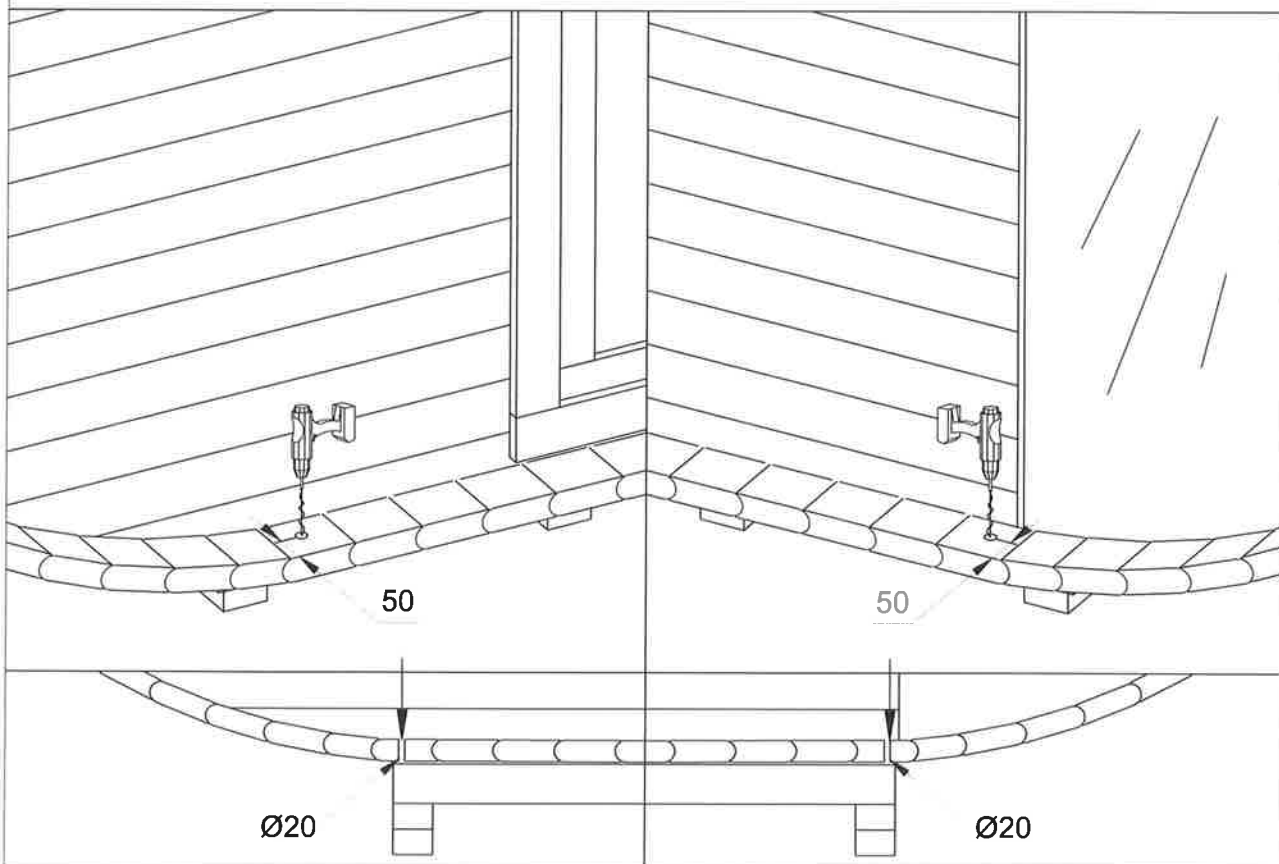
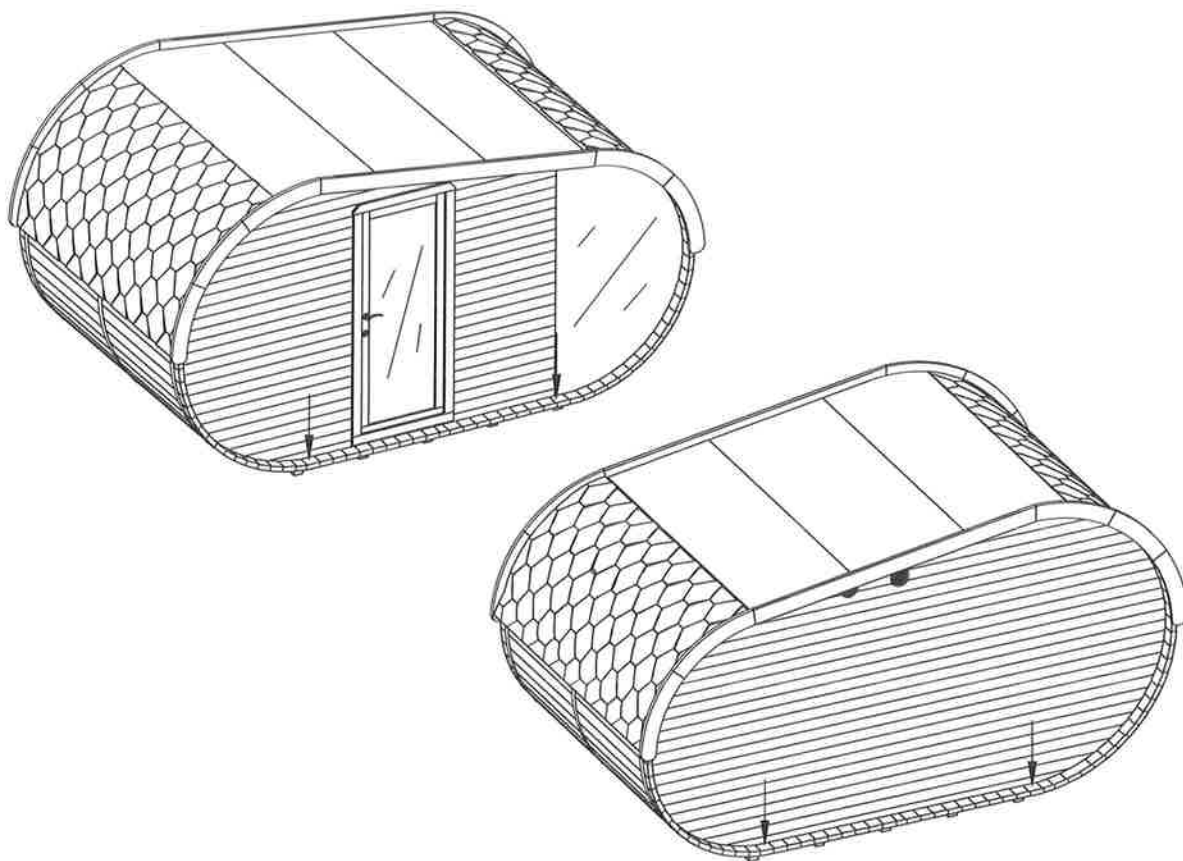


A11 Pcs-3x2

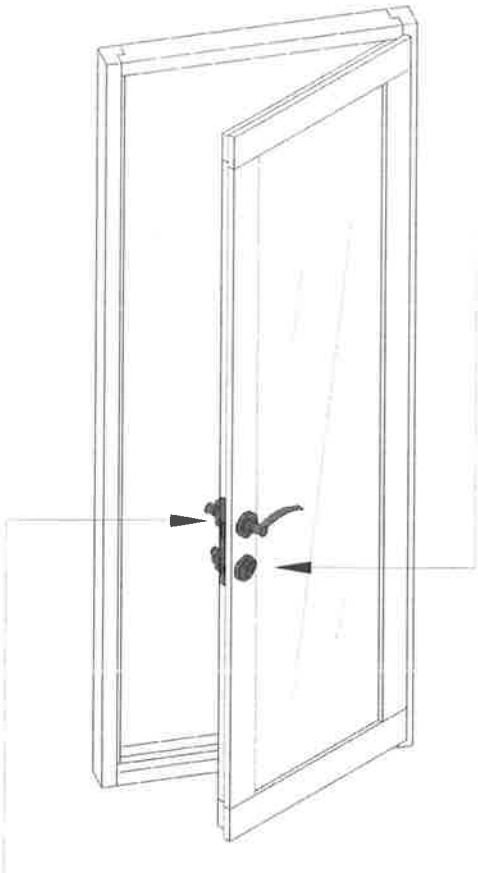


A11 Pcs-3x2

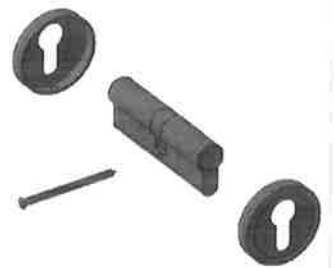
18.



19.



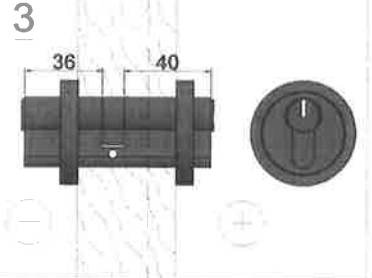
2



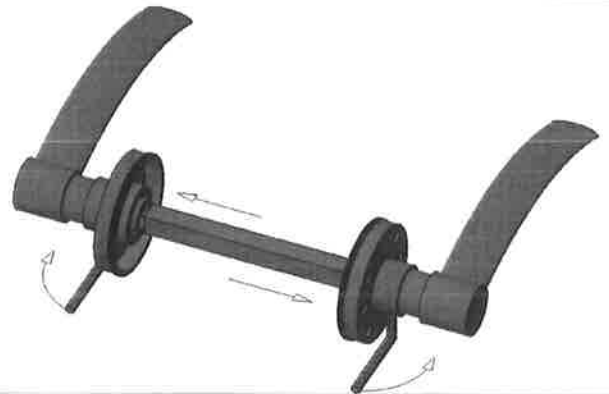
1



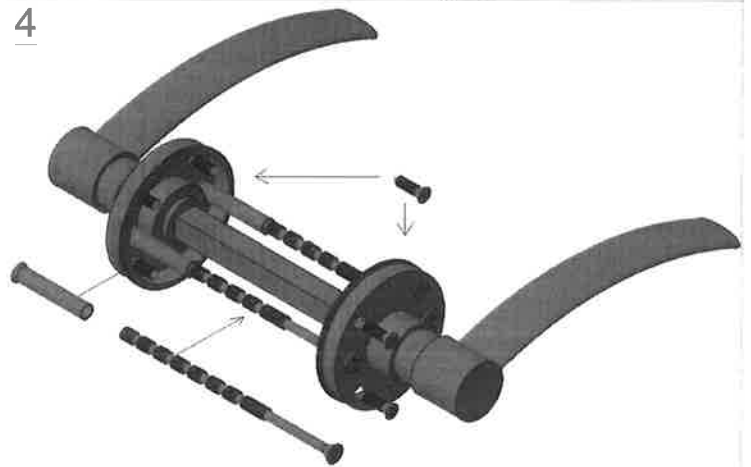
3



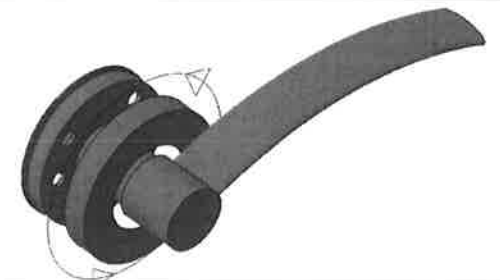
3



4



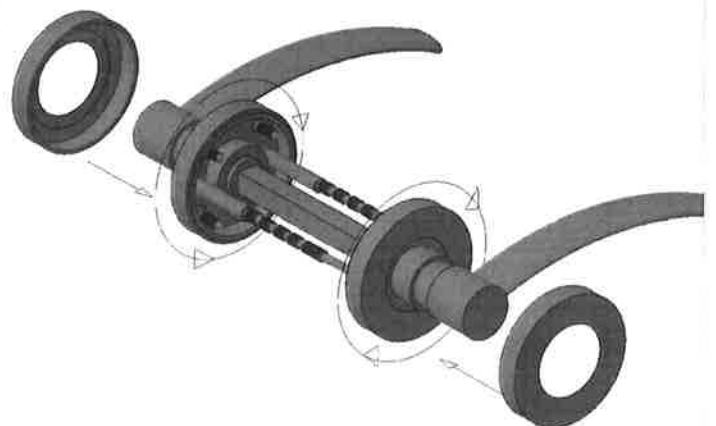
1



2

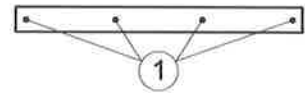
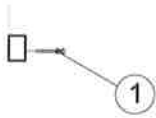
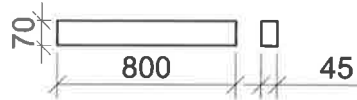


5

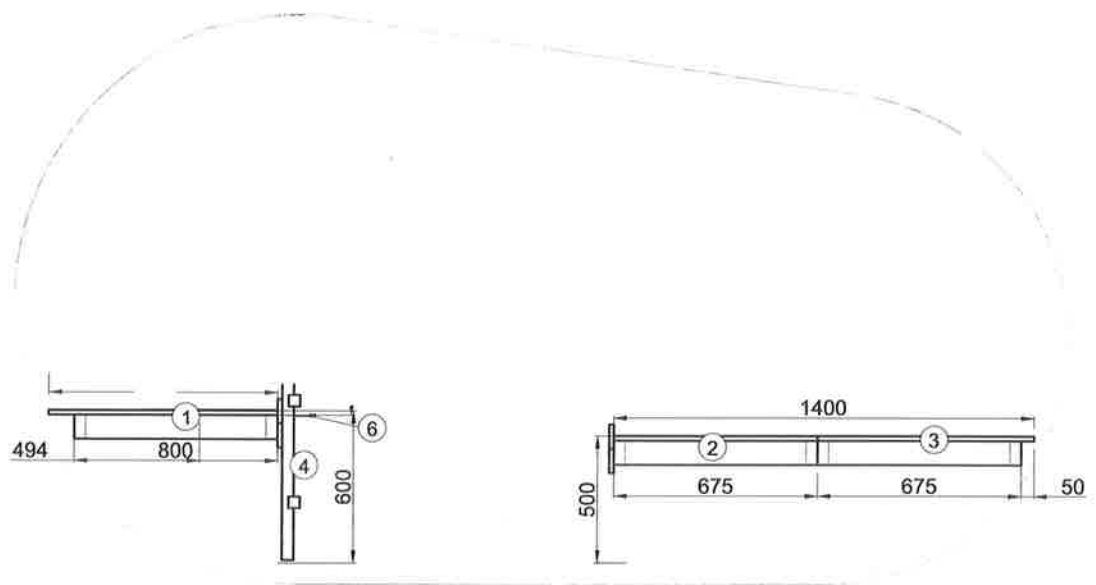




① M-45x70x800



(Delight)		Kiekis- 1 kompl.		A		1:20	
		2 SB					
	Braižė						
	Tikrino Tvirtino						



;(Delight)



Braižė
Tikrino
Tvirtin.